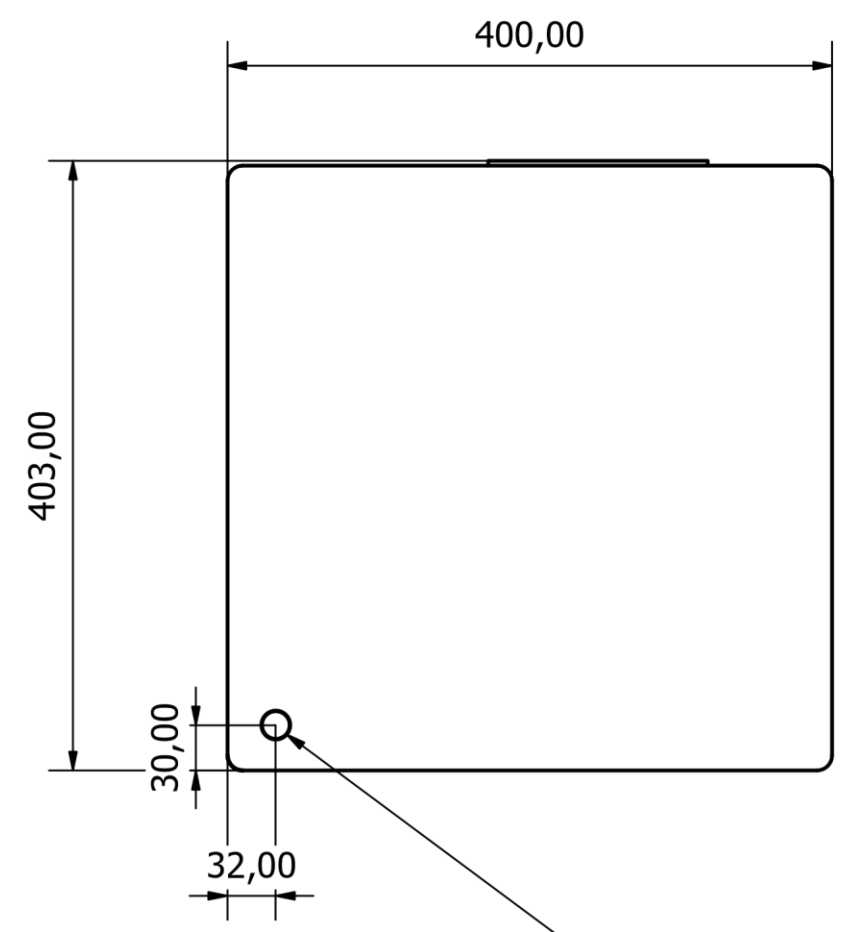
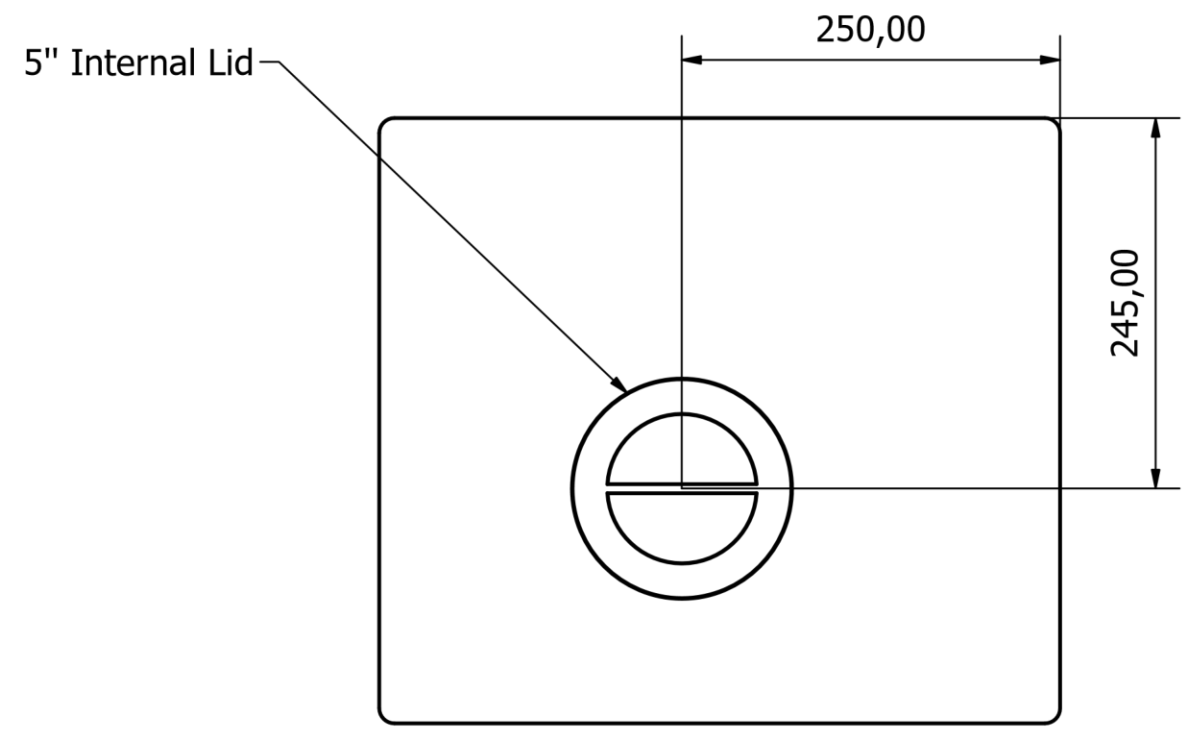


MATERIALS	Polyethylene
NOMINAL WEIGHT (kg)	5.8
TYPICAL WALL THICKNESS (mm)	6mm



1/2" BSP x 15mm  
Insert

